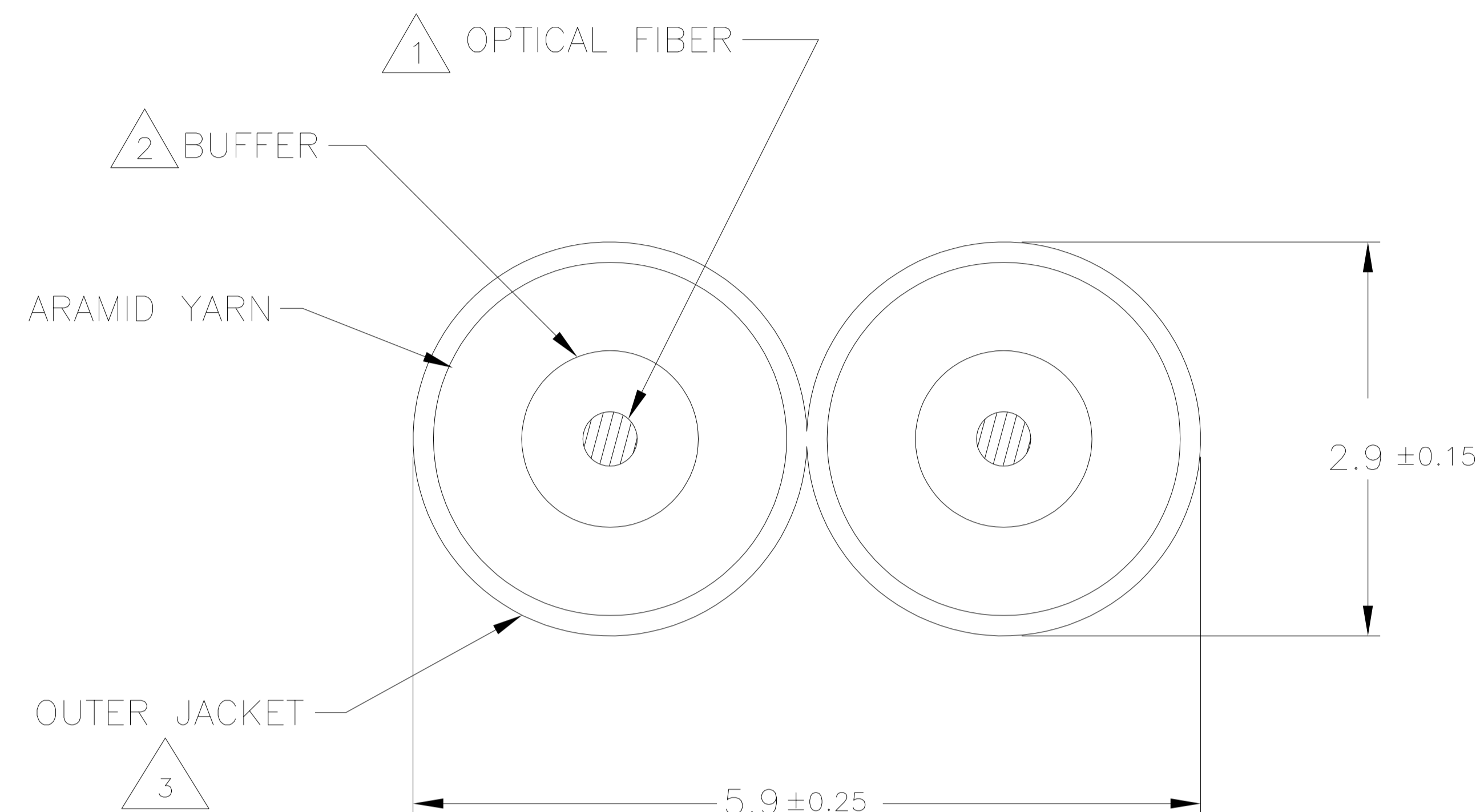


THIS DRAWING IS UNPUBLISHED. RELEASED FOR PUBLICATION  
 © COPYRIGHT - By - ALL RIGHTS RESERVED.

LOC	DIST	REVISIONS			
P	LTR	DESCRIPTION	DATE	DWN	APVD
ES	00				
	B	ECR-12-016500	20SEP12	ZZ	AZ

1 OPTICAL FIBER SPECIFICATIONS:

PART NUMBER	FIBER TYPE	CABLE TYPE	ATTENUATION dB/km	ATTENUATION dB/km				OFL BANDWIDTH MHz-Km	
				850nm	1300nm	1310nm	1550nm	850nm	1300nm
X-1859425-1	62.5/125	OM1	MAXIMUM	3.5	1.5	N/A	N/A	200	600
X-1859425-2	50/125	OM2	MAXIMUM	3.5	1.5	N/A	N/A	500	500
X-1859425-3	50/125	OM3	MAXIMUM	3.5	1.5	N/A	N/A	1500	500
X-1859425-4	SM,G652D	OS2	MAXIMUM	N/A	N/A	0.7	0.7	N/A	N/A



2 TIGHT BUFFER: 900±50µm  
 BUFFER COLORS: BLUE AND WHITE

3 OUTER JACKET MATERIAL TO BE PVC OR  
 ENGINEERING APPROVED EQUIVALENT.  
 COLOR TO BE ORANGE FOR MULTIMODE OM1, OM2.  
 COLOR TO BE YELLOW FOR SINGLEMODE.  
 COLOR TO BE AQUA FOR MULTIMODE OM3.

4. CABLE RATINGS MEET OR EXCEED THE REQUIREMENTS  
 OF TELCORDIA GR-409-CORE.  
 THE FOLLOWING INFORMATION IS FOR REFERENCE ONLY:  
 TEMPERATURES:  
 OPERATION: -20°C TO +70°C  
 INSTALLATION: -20°C TO +70°C  
 STORAGE/SHIPPING: -40°C TO +70°C  
 MINIMUM BEND RADIUS:  
 AT INSTALLATION LOAD: 20 X Cable Diameter  
 UNLOADED (FREE): 10 X Cable Diameter

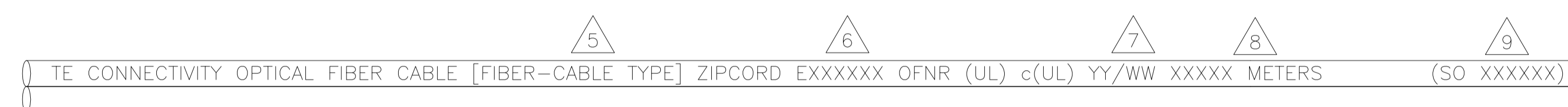
5 FIBER-CABLE TYPE-- "SM-OS2" FOR SINGLEMODE, "62.5/125-OM1", "50/125-OM2", "50/125-OM3" FOR MULTIMODE.

6 EXXXXXX - MANUFACTURER'S UL FILE NUMBER

7 YY/WW - YEAR/WEEK - EXAMPLE: 11/15

8 XXXXX - SEQUENTIAL METER MARKING, TOLERANCE ON  
 LENGTH MARKINGS: -0%/+10%

9 MANUFACTURERS SHOP ORDER NUMBER TO BE  
 PRINTED IN APPROXIMATE POSITION SHOWN.



LEGEND TO BE REPEATED EVERY METER WITH BLACK COLOR INK.

PART NUMBER LIST			
3-1859425-4	2-1859425-4	1-1859425-4	SM-OS2
3-1859425-3	2-1859425-3	1-1859425-3	50/125-OM3
3-1859425-2	2-1859425-2	1-1859425-2	50/125-OM2
3-1859425-1	2-1859425-1	1-1859425-1	62.5/125-OM1
3000M	2000M	1000M	FIBER-CABLE TYPE
PACKAGED LENGTH			

THIS DRAWING IS A CONTROLLED DOCUMENT.		DWN JESSIE CHEN 24MAY2011																							
DIMENSIONS: mm		CHK RICKY CHEN 24MAY2011																							
TOLERANCES UNLESS OTHERWISE SPECIFIED:		APVD RICKY CHEN 24MAY2011	NAME FO CABLE, ZIP,3.0MM,2F,OFNR																						
<table border="1"> <tr><td>0 PLC</td><td>±</td><td>-</td></tr> <tr><td>1 PLC</td><td>±</td><td>-</td></tr> <tr><td>2 PLC</td><td>±</td><td>-</td></tr> <tr><td>3 PLC</td><td>±</td><td>-</td></tr> <tr><td>4 PLC</td><td>±</td><td>-</td></tr> <tr><td>ANGLES</td><td>±</td><td>-</td></tr> <tr><td>FINISH</td><td>-</td><td>-</td></tr> </table>		0 PLC	±	-	1 PLC	±	-	2 PLC	±	-	3 PLC	±	-	4 PLC	±	-	ANGLES	±	-	FINISH	-	-	PRODUCT SPEC -	RESTRICTED TO -	
0 PLC	±	-																							
1 PLC	±	-																							
2 PLC	±	-																							
3 PLC	±	-																							
4 PLC	±	-																							
ANGLES	±	-																							
FINISH	-	-																							
MATERIAL -		WEIGHT -	SIZE A2	CAGE CODE 00779																					
CUSTOMER DRAWING			DRAWING NO C=1859425	SCALE -																					
			SHEET 1 OF 1	REV B																					